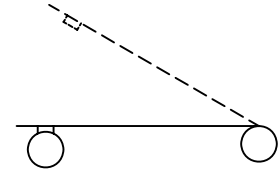
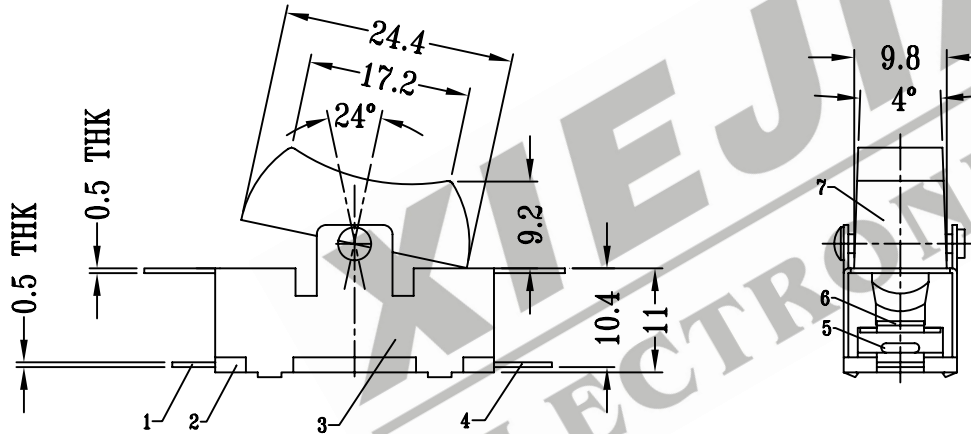
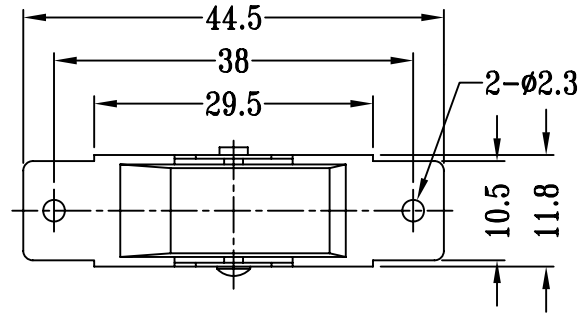


CAD FILE:



SCHMATIC

10	STEEL BALL	STEEL	1	NATURAL	TOLERANCE UNLESS SPECIFIED	SHENZHEN XIEJIA ELECTRONICS CO.,LTD.				
9	SPRING	STEEL WIRE	1	TEMPER						
8	RIVET	ALUMINIUM	1	NATURAL	WITHIN: 1.5±0.1mm OVER : 1.5±0.2mm	ISSUE	DATE	DESCRIPTIONS		APPD.
7	KNOB	PC	1	BLACK						
6	CONTACT B	BRASS STRIP	1	Ag PLATED	TITLE : ROCKER SWITCH		UNIT : MM	DRWG NO.: XJ-DR-RS1145-00		
5	CONTACT A	COPPER	2	NATURAL						
4	TERMINAL B	BRASS STRIP	1	Ni PLATED	MODEL: RS-1145		SCALE: 5:4	DWN.	ZHOUYU	2002-9-16
3	FRAME	STEEL STRIP	1	Zn PLATED				CHK'D	FANGYING	2002-9-16
2	BASE	PHENOLIC RESIN	1	BLACK	ALL MATERIALS MUST BE COMPLIANT TO ROHS			APPD.	KANGXINAN	2002-9-16
1	TERMINAL A	BRASS STRIP	1	Ni PLATED						
NO.	PART NAME	MATERIAL	Q'TY	FINISHING						